

SMOKE ALARM PHOTOELECTRIC

7010A - 120V AC Wire-in

**7010BA - 120V AC Wire-in
with 9V Battery Back-up**



Features

Photoelectric Sensing Technology

OptiPath 360 Technology™

Alarm Indication

Interconnectable—up to 18 devices, of which 12 can be smoke alarms

Locking Features

Operates on 120VAC (7010BA) with 9V battery back-up

"Quick-Connect" wiring harness

Benefits

Photoelectric technology is generally more sensitive at detecting large particles, which tend to be produced in greater amounts by smoldering fires. Sources of these fires may include cigarettes burning in couches or bedding.

Exclusive patented smoke sensor allows 360° access to the layer of air on the ceiling or wall that carries the fire signatures (smoke, combustion particles and volatile components).

During an alarm, this feature automatically identifies which unit in an interconnected series initiated the alarm - Red LED is flashing rapidly, all others remain off.

Can be interconnected with up to 12 smoke alarms and the remaining six be a combination of BRK CO alarms and / or RM4 realsys.

Pins are provided to lock battery drawer (7010BA only) and / or alarm to base. Great for apartment, dormitory or hotel applications where unauthorized removal of alarm or battery is not desired.

Keeps alarm working during a power failure.

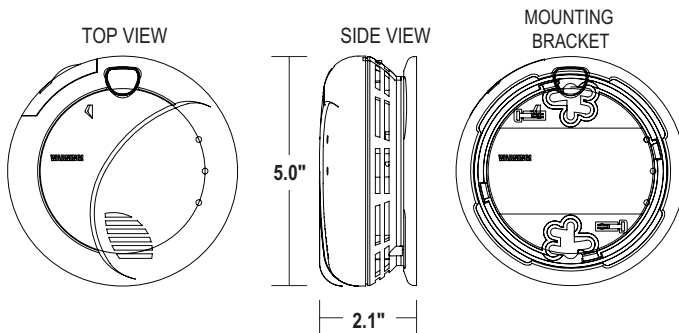
Provides quick and easy connection to AC power.
Fits inside any standard electrical junction box.

CAT. **7010A - 120V AC**
7010BA - with battery back-up

PHOTOELECTRIC SMOKE ALARMS



**120V AC/DC, 60Hz Wire-in
 with 9 V Battery Back-up (7010BA only)**



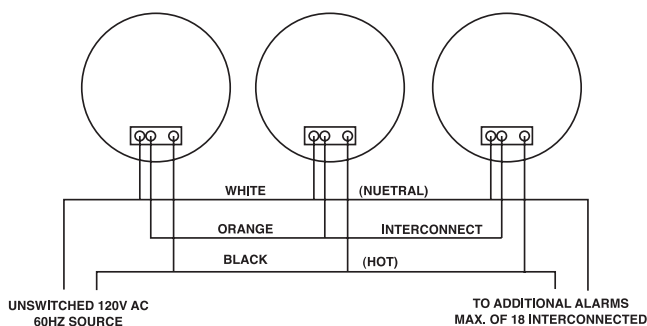
ARCHITECTURAL AND ENGINEERING SPECIFICATION :

1. A photoelectric sensing chamber.
2. The unit shall be capable of self restoring.
3. A fully screened sensing chamber to prevent entry of small insects thereby reducing the probability of unwanted alarms.
4. Powered by 120V AC, 60Hz and have a monitored 9V battery backup (7010BA only) and a solid state piezo horn rated at 85dB at 10 ft.
5. A visual LED (green) power-on indicator to confirm unit is receiving power. A visual LED (red) power-on indicator to confirm unit has switched to battery backup mode for 7010BA only.
6. A single button test/silence feature. Test button should check all alarm functions by simulating a smoke condition, causing the unit to alarm. The silence feature to temporarily silence unwanted alarms.
7. The unit shall be capable of operating between 40°F (4°C) and 100°F (38°C) and relative humidity between 10% and 90%.
8. The unit shall center mount to any standard electrical junction box up to 4" size without screw removal and shall be listed for wall or ceiling mounting.
9. The unit shall have an optional locking mechanism to deter battery (7010BA only) and/or theft of the unit.
10. The unit shall have a dust cover to keep alarm clean during construction.
11. Features a quick-connect wiring harness and be capable of interconnecting up to 18 devices, 12 of which can be smoke alarms.
12. The unit shall at a minimum meet the requirements of ULC #S-531-02.

INSTALLATION OF SMOKE ALARM

Installation of this smoke alarm must conform to all National and local electrical codes.

Interconnected units must meet the following requirements: Total length of wire interconnecting units should be less than 1000 feet, be #18 gauge or larger and be rated at least 300V. It is recommended that all units be on the same fuse or circuit breaker. If local codes do not permit, be sure the neutral wire is common to both phases. Only those BRK Electronics® catalog numbers listed in the "Technical Specs" section under "Interconnection" may be connected to these smoke alarms.



TECHNICAL SPECS :

Alarm Dimensions	5.0" dia x 2.1" H
Weight	6.7 oz. (7010A) 8.4 oz. (7010BA)
Operating Voltage	120V AC 9V battery backup (7010BA only)
Operating Current	.045 amps (standby/alarm)
Temperature Range	40°F (4°C) to 100°F (38°C)
Humidity Range	10% to 90% relative humidity (RH)
Audio Alarm	85dB at 10 feet
Test Button	Electronically simulates the smoke condition, causing the unit to alarm.
Alarm Reset	Automatic when smoke clears
Interconnections	Up to 18 units of which 12 can be smoke alarms
Sensor	Photoelectric
Indicator LEDs	AC Power: Constant Green LED DC Power (7010BA only): Intermittent Red LED Local Alarm: Red LED flashes rapidly Remote Alarm: Red LED off
Listing	ULC S-531-02

SHIPPING SPECS :

	7010A	7010BA
Individual Carton Dimensions	5.13"L x 2.38"W x 5.13"H	5.13"L x 2.38"W x 5.13"H
Weight	.45 lbs.	.55 lbs.
Cube	.04 ft ³	.04 ft ³
UPC	0 29054 11200 2	0 29054 11201 9
Master Carton Dimensions	10.75"L x 7.88"W x 11.06"H	10.75"L x 7.88"W x 11.06"H
Master Pack	12	12
Weight	5.875 lbs.	7.075 lbs.
Cube	.54 ft ³	.54 ft ³
UPC	100 29054 11200 9	100 29054 11201 6
Pallet Information		
Cases per Layer	22	22
Number of Layers	4	4
Cases per Pallet	88	88
Cube	54.04 ft ³	54.04 ft ³
Weight	572 lbs.	677.6 lbs.

Dicon Global Inc.
 88B East Beaver Creek Road, Unit 6
 Richmond Hill, Ontario Canada L4B 4W2
 info@diconglobal.com
 Tel: 905-482-3270 Fax: 905-731-8267