

CO8RD NEW!!

System CO Alarm

- Very low 30µA current draw
- Listed for use with control panels
- 12 or 24 V DC operation
- Meets sensitivity requirements of UL2034 AND CSA-6.19-01
- CO Ultra Technology
- Relay: One Form C (NO/NC) contact
- Contact ratings: 10 A at 24VDC/120VAC
- Input power from a UL Listed Class 2 Fire/Burglary control panel

FEATURES

HIGH CONTRAST LCD

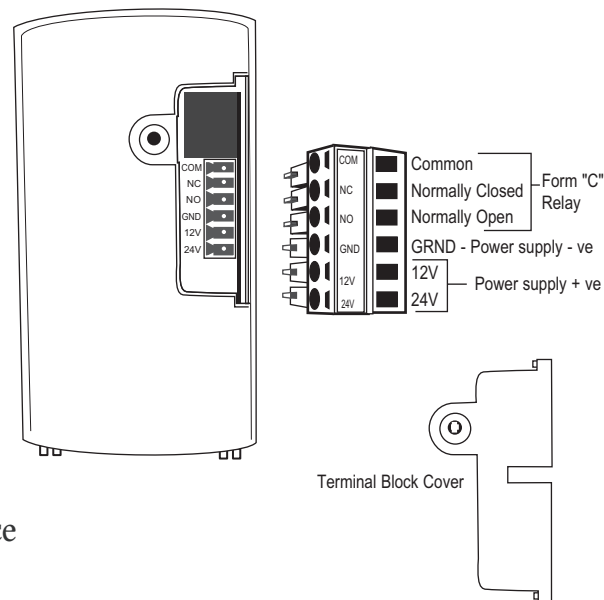
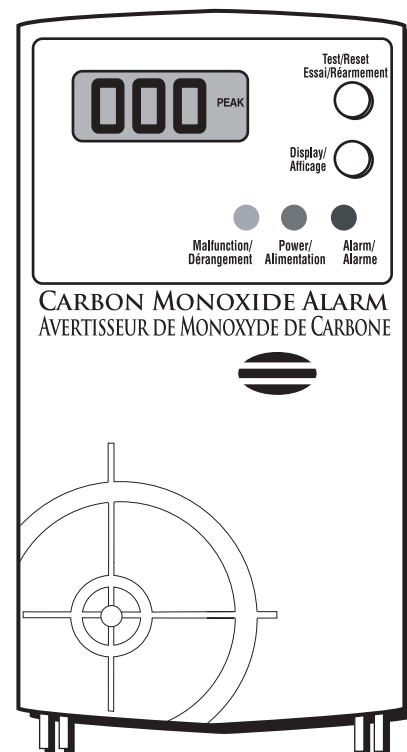
- CO Concentration in Parts Per Million (ppm)
- Low Level Display Starts at 30 ppm
- Peak CO Concentration
- COHb Exposure Level

3 ELECTRODE ELECTROCHEMICAL SENSOR

- Greatest Accuracy
- Best Long Term Stability
- Liquid Electrolyte for Best Immunity from Other Gases
- Sensor Self Test - Produces Gas Internally to Verify Functionality

GENERAL FEATURES

- End of Product Life Signal Indicates it is Time to Replace the Alarm
- Loud 85dB Alarm
- Alarm-Pause® Function
- 3 Lights to Indicate Power, Alarm and Fault



CANADA:

Order: COAC-861A
10 Pack, carton
Unit UPC: 0 80715 10861 1
Ctn UPC: 7 0080715 10861 0

U.S.A.:

Order: COAU-861A
10 Pack, carton
Unit UPC: 0 80715 00861 4
Ctn UPC: 7 0080715 00861 3

Dicon Global Inc.
88B East Beaver Creek Road Unit 6
Richmond Hill, Ontario
Canada L4B 4W2

**AMERICAN
SENSORS**

Tel: 905-482-3720 Fax: 905-731-8267 info@diconglobal.com www.diconglobal.com

WE SAVE LIVES FOR A LIVING.